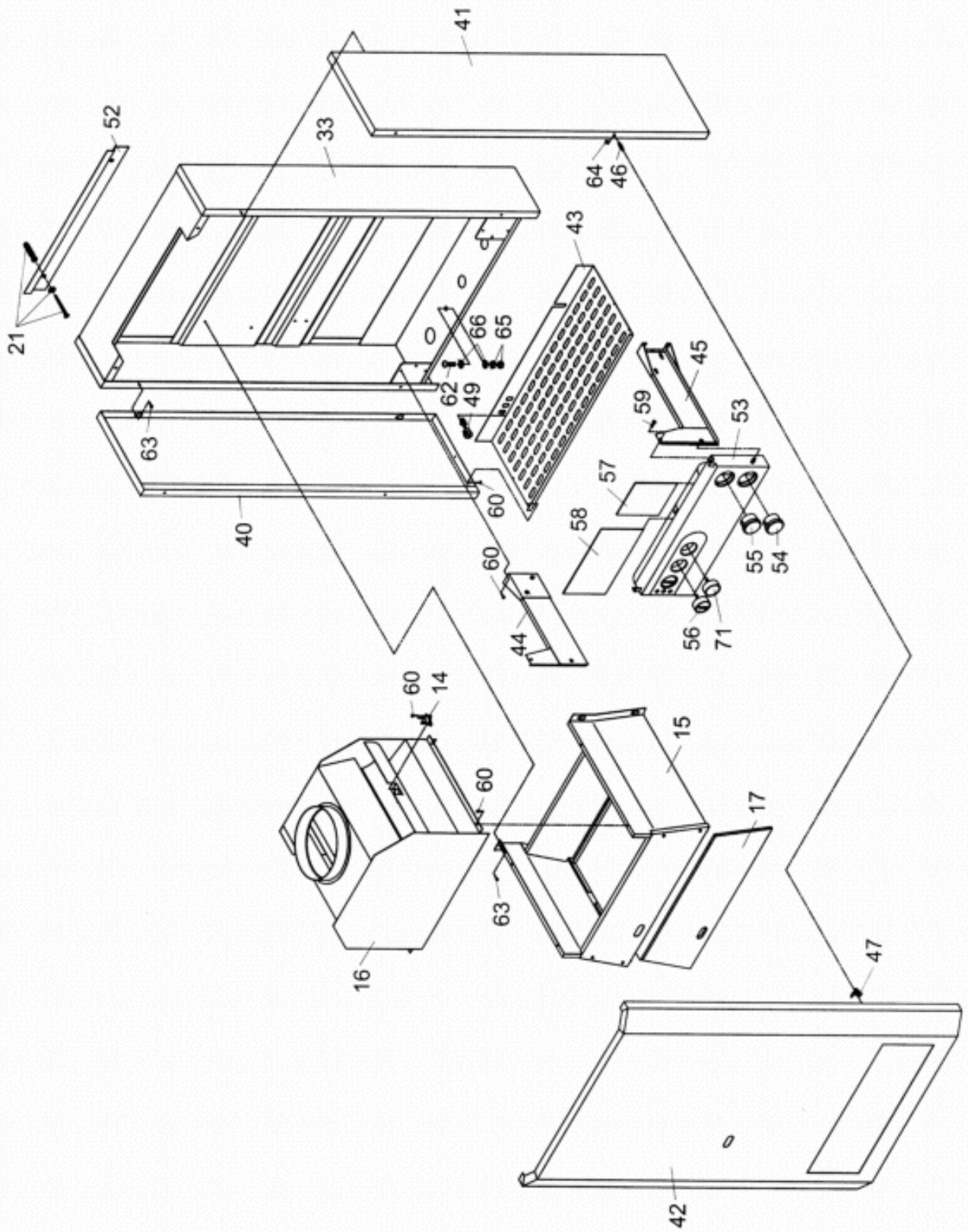


THERM DUO 50 - obr.01



THERM DUO 50 - obr.02

